



Display ottimizzato per l'uso professionale - mostra immagini migliori e più luminose per il tuo business

Il display BRAVIA FW-75BZ30J da 75" combina immagini 4K luminose e splendide con funzioni adatte alle aziende.

Dotato del potente 4K HDR Processor X1 di Sony, il modello FW-75BZ30J offre una qualità delle immagini eccezionale, con immagini coinvolgenti che combinano colori, contrasto, nitidezza e movimento straordinari.

Il robusto FW-75BZ30J è progettato per offrire un'ampia gamma di applicazioni B2B in un design smart.

Il potente sistema operativo Android integrato del display su una piattaforma SoC assicura un avvio rapido, app e animazioni fluide e un'esperienza utente perfetta.

La modalità Pro consente una personalizzazione rapida e semplice per adattarsi a diversi ambienti, tra cui quelli corporate, education e del digital signage, mentre la configurazione in un solo passo ottimizza le impostazioni per il signage e le sale conferenze con il semplice tocco di un pulsante. La funzionalità di controllo tramite IP consente una facile installazione che supporta i principali partner, tra cui Crestron, Extron e Kramer. Il modello FW-75BZ30J è dotato anche di funzionalità di mirroring integrate tramite Chromecast built-in ed AirPlay2, fornendo una connessione semplice, rapida e senza contatto dal dispositivo dell'utente.

Per la massima tranquillità, ti offriamo 3 anni di garanzia con riparazione o, se necessario, la sostituzione anticipata gestita da un partner locale, in sede laddove possibile. Inoltre puoi estendere il tuo contratto di assistenza per altri 2 anni.

Garanzia :
36 mesi



Display Professionale BRAVIA 4K Ultra HDR da 75"

SCHERMO

Lunghezza diagonale (pollici)	75 "	Touch Screen	No	Luminosità	440 cd/m ²	Tecnologia pannello	IPS
Risoluzione Massima Orizzontale	3.840 Px	Rapporto d'aspetto	16:9	Tempo di risposta	11 ms	Risoluzione Massima Verticale	2.160 Px
Risoluzione video	4K (UHD)	Dot pitch	0 mm	Angolo di visione orizzontale	178 °	Angolo di visione verticale	178 °
Contrasto standard	1.200 :1	Contrasto dinamico	300.000 :1	Frequenza Ottimale	60 HZ	Frequenza Massima	75 HZ

CONNESSIONI

Nr. Porte VGA	0	Nr. porte DVI	0	Nr. porte HDMI	4 nr	Nr. porte Ethernet	1
Nr. porte DisplayPort	0						

GENERALE

Colore principale	Nero	Wi-Fi	Sì	Webcam Integrata	No	Alimentatore	Interno
Software per la gestione dei contenuti	Sì	Contenuto della confezione	-				

DIMENSIONI

Altezza	96,8 cm	Larghezza	168,5 cm	Profondità	7,5 cm	Peso	31,6 Kg
---------	---------	-----------	----------	------------	--------	------	---------

AUDIO

Multimediale	Sì	Nr. altoparlanti	2 nr.	Potenza	20 W		
--------------	----	------------------	-------	---------	------	--	--

VESA FLAT DISPLAY MOUNTING INTERFACE (FDMI)

Formato VESA FDMI (Flat Display Mounting Interface)	MIS-F (300x300mm)	Supporto montaggio VESA	Sì				
---	-------------------	-------------------------	----	--	--	--	--

CONSUMI

Durata esercizio media	30.000 hr						
------------------------	-----------	--	--	--	--	--	--

Non viene rilasciata alcuna garanzia né dichiarazione in relazione all'accuratezza di tali informazioni e si declina qualsiasi responsabilità per errori tipografici o d'altro tipo o per omissioni nel contenuto. Fornendo tali informazioni, inoltre, non viene concessa alcuna licenza su copyright, brevetti o qualsiasi altro diritto di proprietà intellettuale. Non è consentito modificare in alcun modo i materiali presenti nel Sito, né riprodurli o trasmetterli pubblicamente, né distribuirli o in altro modo utilizzarli a scopi pubblici o commerciali. In caso di violazione delle presenti condizioni, cessa ogni autorizzazione all'uso del Sito ed è obbligatorio distruggere con effetto immediato eventuali materiali scaricati o stampati.

CAPITOLATO TECNICO – ALLEGATO 1

AVVISO ESPLORATIVO PER L'ACQUISIZIONE DI MANIFESTAZIONI D'INTERESSE FINALIZZATE ALL'INDIVIDUAZIONE DI OPERATORI ECONOMICI CUI EVENTUALMENTE AFFIDARE, TRAMITE SUCCESSIVO "AFFIDAMENTO DIRETTO" MEDIANTE PIATTAFORMA M.E.P.A., AI SENSI DELL'ART. 1, COMMA 2, LETT A) DELLA L. n. 120/2020 E SS.MM.II., LA FORNITURA DI DISPOSITIVI AUDIO/VIDEO E RELATIVI ACCESSORI NECESSARI ALL'ALLESTIMENTO DI UNA SALA RIUNIONI PER LA S.C. DI CHIRURGIA TORACICA DELL'ISTITUTO, PREVIA VALUTAZIONE DI PREVENTIVI DI SPESA.

Di seguito si riportano i prodotti, le quantità e gli importi dei prodotti oggetto del presente avviso.

PRODOTTO	MARCA	MODELLO	Q.tà	IMPORTO
Display 75" 4K	SONY	BRAVIA FW-75BZ30J	1	€ 2.900,00
Staffa a muro fissa			1	
Cavo hdmi/hdmi 4K 60Hz	KRAMER	C-HM/HM	1	
Telecamera motorizzata FullHD con relativa staffa	MINRRAY	UV510A	1	€ 1.000,00
Cavo di prolunga per booster usb 2.0 15mt	ALFATRON		1	
Sistema microfónico con altoparlante integrato per web conference da pc	CleraOne	CHATAAttach 150 Usb	1	€ 600,00
				€ 4.500,00



Staffa a Muro Fissa per monitor da 32" a 80"

GENERALE

Marchio	Techly
Peso	2.3110
La confezione comprende	• Supporto universale da parete per TV • Materiale di montaggio • Manuale utente

Barcode	8051128107203
Certificazioni	CE
Anni di Garanzia	2
Codice Fornitore	107203

COMPATIBILITÀ

Tipologia	Da muro
VESA (mm)	50x50 , 75x75 , 100x100 , 100x200 , 120x180 , 200x100 , 200x200 , 200x300 , 300x300 , 400x200 , 400x300 , 400x400 , 500x400 , 600x200 , 600x400

Dimensioni TV	37 - 80"
Portata Kg	70

CARATTERISTICHE

Distanza minima muro	29 mm
Inclinazione Verticale	No
Numero snodi	Fisso
Colore	Nero
Supporto TV curve	Sì

Distanza massima muro	29 mm
Inclinazione orizzontale	No
Rotazione	No
Bolla Livellamento	Sì
Sistema di Sicurezza	Sì



KRAMER

C-HM/HM

HDMI to HDMI Cables

| HDMI | 4K/60 UHD (4:2:0) | 4K/60 UHD (4:4:4)
| 4K HDR



Kramer HDMI cables are high-performance cables with molded HDMI connectors at both ends. HDMI standard supports high definition video plus multi-channel audio in a single cable

FEATURES

Quality Construction - Kramer's new High Definition Multimedia Interface (HDMI) cables provide an uncompressed digital link between consumer electronics equipment such as DVD players, set-top boxes and audio/video monitors such as plasma display screens for high-definition TVs

Max. Resolution - 4K@60Hz (4:4:4)

High Quality Connectors - Gold plated connectors resist corrosion, and offer the best possible connectivity

K-Lock Pull-Resistant Connectors - Provides 15lbs of restraining force for a non-slip connection
Premium certified

Varied Selection of Lengths - Available in 3, 6, 10, 15, 25, 35 and 50ft (0.9 to 15 meters)



TECHNICAL SPECIFICATIONS

Video	Max Resolution for 3–15ft (.9–4.6m) lengths: 4K@60Hz (4:4:4) Max Resolution for 25–35ft (7.6–10.7m) lengths: 1080p-12bit Max Resolution for 50ft (15.2m) lengths: 1080p Max Data Rate for 3–15ft (.9–4.6m) lengths: 18 Gbps Max Data Rate for 25–35ft (7.6–10.7m) lengths: 7.65 Gbps Max Data Rate for 50ft (15.2m) lengths: 4.95Gbps Supported Color Spaces: RGB, YCbCr, xvYCC, Adobe sRGB, sYCC601, BT.2020 HDMI Compliance: HDR, HDCP 2.2, EDID and CEC
Audio	Supported Audio Formats: Dolby Digital Plus™, Dolby TrueHD™, DTS–HD Master Audio™, DVD Audio, SA–CD
PHYSICAL	HDMI Source: On a male HDMI type A, 24K gold–plated K–Lock connector HDMI Display: On a male HDMI type A, 24K gold–plated K–Lock connector
CONDUCTORS	Material: Tinned Copper/Bare Copper 3–35ft (.9–10.7m) lengths: 28AWG (7/0.127) 50ft (15.2m) lengths: 26AWG (7/0.160)
SCREENING	Type: Triple shielding
JACKET	Material: PVC Color: Gray Diameter for 3–35ft (.9–10.7m) lengths: 6.50 ± 0.15mm Diameter for 50ft (15.2m) lengths: 9 ± 0.25
MECHANICAL	Cable Bending Radius for 3–35ft (.9–10.7m) lengths: 60mm Cable Bending Radius for 50ft (15.2m) lengths: 90mm
ELETTRICO	Temperature Rating: 80°C Voltage Rating: 30V Conductor Resistance – 28AWG: 237.25Ω/km Conductor Resistance – 26AWG: 148Ω/km MAX. at 20°C (68°F)
STANDARDS COMPLIANCE	Safety: Flammability Rating – CL3/FT4 Environmental: RoHS 2011/65/ EU

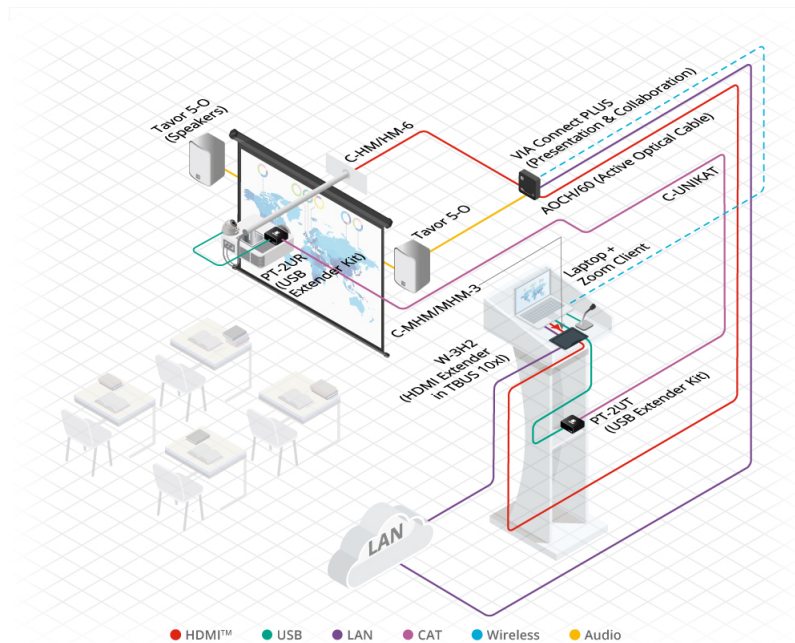




KRAMER

CONFIGURATIONS

C-HM/HM-3	Premium High-Speed HDMI Cable
C-HM/HM-6	Premium High-Speed HDMI Cable
C-HM/HM-10	Premium High-Speed HDMI Cable
C-HM/HM-15	Premium High-Speed HDMI Cable
C-HM/HM-25	High-Speed HDMI Cable
C-HM/HM-35	High-Speed HDMI Cable
C-HM/HM-50	High-Speed HDMI Cable



CHAT® 150 | CHATAttach™ 150 USB

Personal/Group Speaker Phones

Speaker phones for individual, small, medium or large group use. The CHAT 150 and CHATAttach 150 USB connect to PCs for rich, full-duplex audio communications and can be used with VoIP softphones, Web collaboration, instant messaging and any other applications requiring two-way audio. A perfect addition to the office or conference room for greatly enhanced collaboration.

ClearOne



DELIVERS
SUPERIOR
HANDS-FREE
AUDIO FOR
PC-BASED
COLLABORATION
APPLICATIONS

APPLICATIONS

- Web Conferencing
 - + IBM Workplace
 - + Microsoft Live Meeting, WebEx
- VoIP Softphones
 - + Avaya, Cisco, Nortel, Mirial
- Internet Telephony
 - + Google Talk, Skype, Vonage
- Instant Messenger
 - + AOL, Microsoft MSN, Yahoo

ADVANTAGES

- Enable full-duplex speaker phone capabilities on PCs or laptops
 - + Connect the CHAT 150 or the CHATAttach 150 to laptops & PCs via USB for hands-free audio for:
 - > VoIP softphones
 - > Instant Messaging audio chats
 - > Web conferences
- Enjoy rich audio playback
 - + Full bandwidth frequency response provides rich audio playback with media players
- Enjoy crisp, clear audio
 - + Advanced ClearOne HDConference™ audio processing technologies deliver remarkably rich, full audio for natural, effortless conversations:
 - > True full duplex performance allows user to listen and speak at the same time without audio cutting in and out
 - > Distributed Echo Cancellation®
 - > Noise cancellation
 - > Advanced automatic level management
- + Three built-in microphones provide full 360-degree coverage up to 8 feet from device
- + Bridge audio from PC applications with audio on telephone for instant 3-way conference bridge

HDConference™

> **CHAT 150 COMPONENTS**



CHAT 150 Unit
Part # 910-156-200



USB 2.0 Connection Cable
Part # 830-156-200



Quick Start Guide
Part # 800-156-202

> **CHATAttach 150 COMPONENTS**

CHATAttach Packout for the CHAT 150



Two CHAT 150 Units
Part # 910-156-200



USB 2.0 Connection Cable
Part # 830-156-200



CHATAttach Cable
Part # 830-156-010L



CHATAttach Power Supply
Part # 551-156-200



CHATAttach Quick Start Guide
Part # 800-156-225

Ready out of the box

All the components you need to quickly get up and running, including cabling and Quick Start Guide.

CHATAttach Expansion Cable Packout



CHATAttach Cable
Part # 830-156-010L



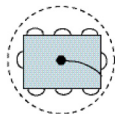
CHATAttach Power Supply
Part # 551-156-200



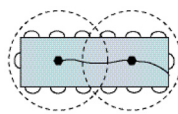
CHATAttach Quick Start Guide
Part # 800-156-225

> **ROOM APPLICATIONS**

CHAT 150



CHATAttach 150



Configuration Software

Allows users to easily switch between devices; software applies optimized settings to CHAT 150 for each device. Auto-updates from the Web to keep software & CHAT 150 up-to-date with the latest enhancements.

> **SPECIFICATIONS**

Connections

USB Connector
Version 2.0 Compatible
Type: Mini B Female

Keyed Connector
Keyed RJ-45 (8 Conductor)

Controls

Volume Up
Volume Down
Microphone Mute

Operating System Support

Windows XP
Windows Vista
Windows 7

Audio

Speaker
Bandwidth: 190 Hz - 20 kHz
Max Output Level: 85 dB SPL @ 1 meter

Microphone
Bandwidth: 100 Hz - 12 kHz

Power

USB-powered
5 VDC @ 500 mA Maximum

External Power Supply
100 - 240 VAC Input
9 VDC @ 560 mA Output

Environmental

Operating temperature:
5 - 40° C (41 - 104° F)

Mechanical

CHAT 150 Dimensions (W x D x H):
7.4" x 7.4" x 1.8"
(18.8 cm x 18.8 cm x 4.6 cm)

CHAT 150 Weight:
1.17 lbs (0.53 kg)

Compliance

RoHS
FCC Class A Part 15
FCC Part 15.19 (A) (3)
ICES-003
EU Compliance

Model Numbers

910-156-200
Chat 150 USB

- Single CHAT 150 and Connecting Cable

910-156-200-00
CHATAttach 150

- Two (2) CHAT 150 Devices, Connecting Cables and Power Supply

910-156-222

CHAT 150 Avaya

- CHAT 150 and Connecting Cable to Avaya Enterprise Phone

910-156-220

CHAT 150 Cisco

- CHAT 150 and Connecting Cable to Cisco Enterprise Phone

910-156-230

CHAT 150 VC

- CHAT 150 and Cable to Video Conference System

Accessory Part Numbers

860-156-230L

CHAT 150 VC Accessory Kit

- Includes Video Conferencing Breakout Box, Power Adapter, International Power Clips, RCA Connection Cable, 25' Link Cable

860-156-222L

CHAT 150 Avaya Accessory Kit

- Includes Breakout Box for 2410, 2420, 4610 and 4621 Telephone Handsets, Power Adapter, International Power Clips, RJ-9/RJ-9 Telephone Cable, 25' Link Cable

860-156-220L

Chat 150 Cisco Accessory Kit

- Includes Breakout Box for 7940, 7960, and 7970 Telephones, Power Adapter, International Power Clips, RJ-9/RJ-9 Telephone Cable, 25' Link Cable

910-156-225

CHATAttach Expansion Kit

- Includes Cables, Power Supply and Quick Start Guide to Update Two (2) CHAT 150 Devices to CHATAAttach

> **CLEARONE LOCATIONS**

Headquarters:

Salt Lake City, UT USA

5225 Wiley Post Way
Suite 500

Salt Lake City, UT 84116

Tel: 801-975-7200

Toll Free: 800-945-7730

Fax: 801-977-0087

e-mail: sales@clearone.com

Latin America

Tel: 801-974-3621

e-mail: global@clearone.com

EMEA

Tel: 44 (0) 1189 036 053

e-mail: global@clearone.com

APAC

Tel: 801-303-3388

e-mail: global@clearone.com

Technical Support

APAC

Tel: 801-283-5936

e-mail: tech.support@clearone.com

UV510A series HD Video Conference Camera

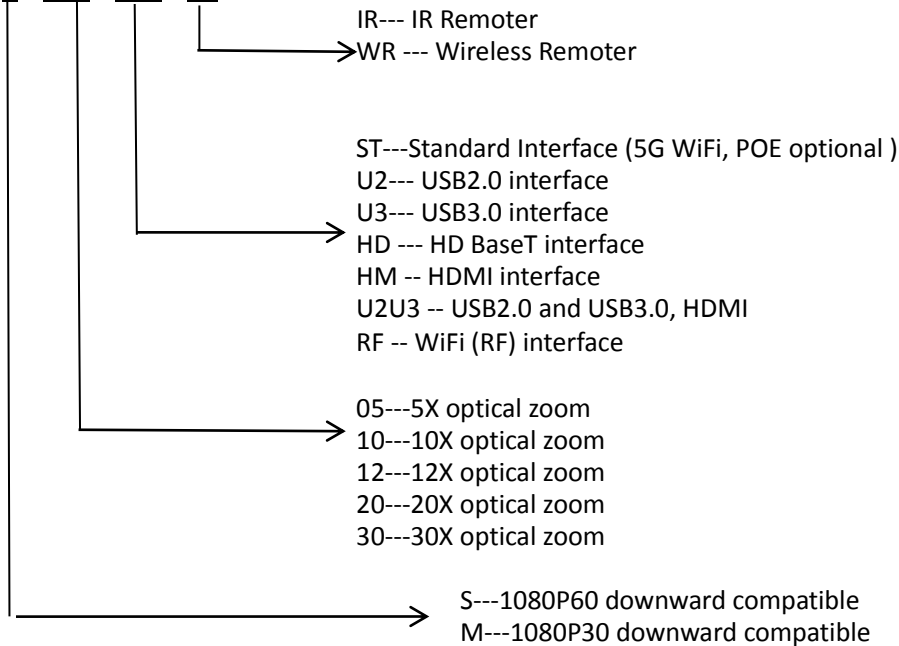
Full HD, Wide View Angle, Multi-protocols, Multiple Video Interfaces

The UV510A series camera offers perfect functions, superior performance and rich interfaces. The features include advanced ISP processing algorithms to provide vivid images with a strong sense of depth, high resolution, and fantastic color rendition. It supports H.264/H.265 encoding which makes motion video fluent and clear even under less than ideal bandwidth conditions.



Key Features

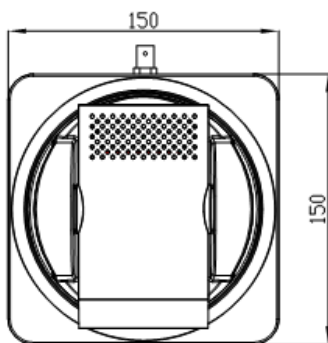
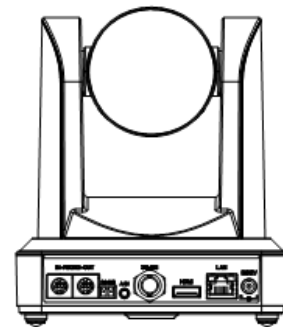
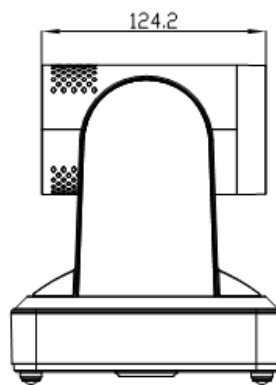
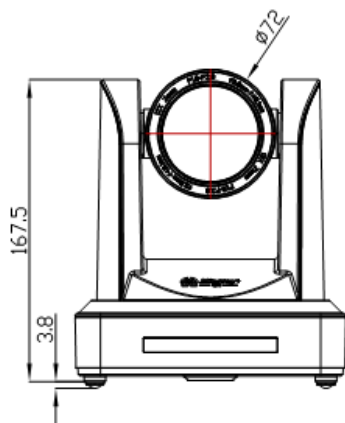
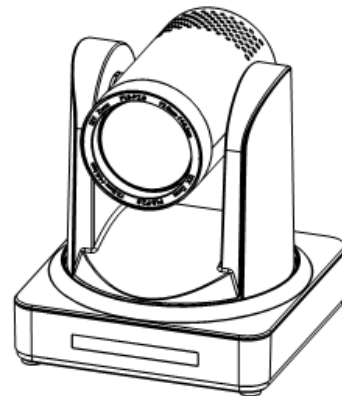
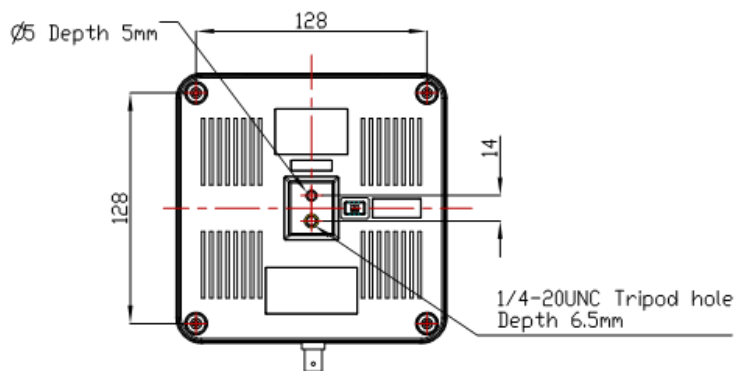
- **Superb High-definition Image**
UV510A employs **1/2.8 inch** high quality CMOS sensor. Resolution is up to 1920x1080 with frame rate up to 60fps.
- **Leading Auto Focus Technology**
Leading auto focus algorithm makes lens a fast, accurate and stable auto-focusing.
- **Low Noise and High SNR**
Low Noise CMOS effectively ensure high SNR of camera video. Advanced 2D/3D noise reduction technology is also used to further reduce the noise, while ensuring image sharpness.
- **Audio Input Interface (for future development)**
Support 16000, 32000, 44100, 48000 sampling frequency and AAC, MP3, PCM audio coding.
- **Wide-range, Quiet and Quick Pan/Tilt Mechanism**
By adopting step driving motor mechanism, UV510A camera works extremely quiet and moves smoothly.
- **Multiple Audio/Video Compression**
Support H.264/H.265 video compression; AAC, MP3 and PCM audio compression; Support compression of resolution up to 1920x1080 with frame up to 60fps and 2 channel 1920x1080p with 30fps compression.
- **Multiple Network Protocol**
Support NDI, ONVIF, RTSP, RTMP protocols and support RTMP push mode, easy to link streaming media server (Wowza, FMS)
- **RS-232 Cascade Function**
Support RS-232 cascade function which is convenient for installation.
- **Wide Application**
Tele-education, Lecture Capture, Webcasting, Videoconferencing, Tele-training, Tele-medicine, Interrogation and Emergency command systems.
- **Low-power Sleep Function**
Support low-power sleep/wake up, the consumption is lower than 400mW under sleep mode.

Order Model No.:
UV510AX—XXX—XXX—XX

Technical Specification:

Model	UV510A-05	UV510A-10	UV510A-12	UV510A-20	UV510A-30
Camera, Len Parameter					
Sensor	1/2.8 inch high quality HD CMOS sensor				
Effective Pixels	16: 9, 2.07 megapixel				
Video Format	DVI/HDMI/3G-SDI/HDBaseT video format: 1080P60/50/30/25/59.94/29.97; 1080i60/50/59.94; 720P60/50/30/25/59.94/29.97 U3 interface video format: 1) U3: 1920X1080P60/50/30/25; 1280X720P60/50/30/25; 960X540P30; 640X360P30; 640X480P30; 352X288P30; 960X540P30; 800X600P30. 2) U3 compatible with U2: 960X540P30; 640X360P30; 1280X720P10/15; 720X576P50; 720X480P60; 640X480P30; 352X288P30; 800X600P30. U2 interface video format: 176x144/320x240/320x180/352x288/640x480/720x480/720x576/ 640x360/800X600/960X540/1024X576/1024X768/1280X720/1920X1080P30/25/20/15/10/5				
Optical Zoom	5X f=3.1~15.5mm	10X f=4.7~47mm	12X f=3.9~46.8mm	20X f=5.5~110mm	30X f=4.3~129mm
View Angle	20°(tele)--83.5°(wide)	6.43°(tele)--60.9°(wide)	6.3°(tele)--72.5°(wide)	3.3°(tele)--54.7°(wide)	2.34°(tele)--65.1°(wide)
AV	F1.8 – F2.8	F1.6 – F3.0	F1.8 – F2.4	F1.6 – F3.5	F1.6 – F4.7
Digital Zoom	10X				
Minimum Illumination	0.5Lux (F1.8, AGC ON)				
DNR	2D & 3D DNR				
White Balance	Auto / Manual/ One Push/3000K/3500K/4000K/4500K/5000K/5500K/6000K/6500K/7000K				
Focus	Auto/Manual/One push focus				
Aperture/Electronic Shutter	Auto/Manual				
BLC	ON/OFF				
WDR	OFF/ Dynamic level adjustment				
Video Adjustment	Brightness,Color,Saturation,Contrast,Sharpness,B/W mode,Gamma curve				
SNR	>55dB				
Input/Output Interface					

Video Interfaces	UV510A-STmodel: 3G-SDI, HDMI, LAN, RS232(input & output), RS485,A-IN NEW UV510A-NDI model: SDI, HDMI, LAN(NDI),RS232(In & Out), RS485, A-IN UV510A-U2model: USB2.0, LAN, RS232(input & output), A-IN UV510A-U3model: USB3.0, LAN, RS232(input & output), A-IN UV510A-HDmodel: HDBaseT(POE), LAN, A-IN, RS232(input) UV510A-HMmodel: HDMI, LAN, RS232(input) UV510A-U2U3model: USB2.0, USB3.0, HDMI, LAN, RS232(input) UV510A-RFmodel: WiFi(RF), LAN
Video Output Interfaces	HDMI、3G-SDI、LAN、USB3.0、USB2.0
Image Stream	Double stream output
Video Compression Format	H.264, H.265
Control Protocol	VISCA/Pelco-D/Pelco-P;Baud Rate:115200/9600/4800/2400bps
Audio Input Interface	A-IN: Double track 3.5mm linear input
Audio Compression Format	AAC/MP3/G.711A
Network Interface	100M IP port(100BASE-TX) 5G WiFi (optional) .
Network Protocol	RTSP,RTMP,ONVIF,GB/T28181, NDI(Optional) , Network VISCA Control Protocol,Support remote upgrade, reboot and reset.
ControlInterface	RS232 (input & output),RS485
Power Interface	HEC3800 outlet (DC12V),2pin waterproof aerial socket (RF model)
Power Adapter	Input: AC110V-AC220V. Output: DC12V/1.5A
Input voltage	DC12V±10%
Input current	1A (Maximum)
Power Consumption	12W(Maximum)
RF parameter	
Operating frequency range	5.1—5.9 (GHz)
Transmit power	17dBm
Channel bandwidth	40MHz
Modulation mode	OFDM
Transmission distance	≤300m (Outdoor without blocking), ≤150m (Indoor without blocking)
Transmission data rate	Max 300Mbps (Determined by transmission distance and channel occupancy)
Anti-interference mode	Manual/automatic channel mode selection
PTZ Parameter	
Pan/Tilt Rotation	±170°,-30°~+90°
Pan Control Speed	0.1 -60°/sec
Tilt Control Speed	0.1-30°/sec
Preset Speed	Pan: 60°/sec, Tilt: 30°/sec
Preset Number	255 presets (10 presets by remote controller)
Other Parameter	
Storage Temperature	-10°C~+60°C
Storage Humidity	20%~95%
Working Temperature	-10°C~+50°C
Working Humidity	20%~80%
Dimension	150mm×150mm×180mm(RF model)
Weight (around)	1.4KG
Using environment	Indoor

Accessory	
Random Accessory	12V/1.5A power supply, RS232 control line, USB3.0 connection line (U3 model), USB2.0 connection line (U2 model), remote controller, Manual, warranty card
Optional Accessories	Mounting bracket

Dimension(mm):



Staffa da parete per UV100, UV401, UV430, UNV510, UV570, UV950. Colore: Nero o bianco



Cavi di estensione per booster USB Alfatron

CAVI DI PROLUNGA PER BOOSTER USB ALFATRON

Disponibile in USB 2.0 e USB 3.0 nelle seguenti lunghezze.

- 15M
-

Specifiche:

USB 2.0

- Cavo di prolunga USB 2.0 A attivo ad alta velocità da maschio a femmina.
- Un modo conveniente per estendere il cavo USB esistente senza alcuna perdita di segnale.
- Dispone di un chipset integrato FE1.1S a bassa potenza per ottenere una migliore compatibilità.
- Supporta dispositivi USB 2.0 ad alta velocità e la velocità di trasferimento è fino a 480Mbps.
- Rivestimento flessibile in PVC, schermatura in lamina e treccia, costruzione a doppino intrecciato.